

Franna Crane AT20

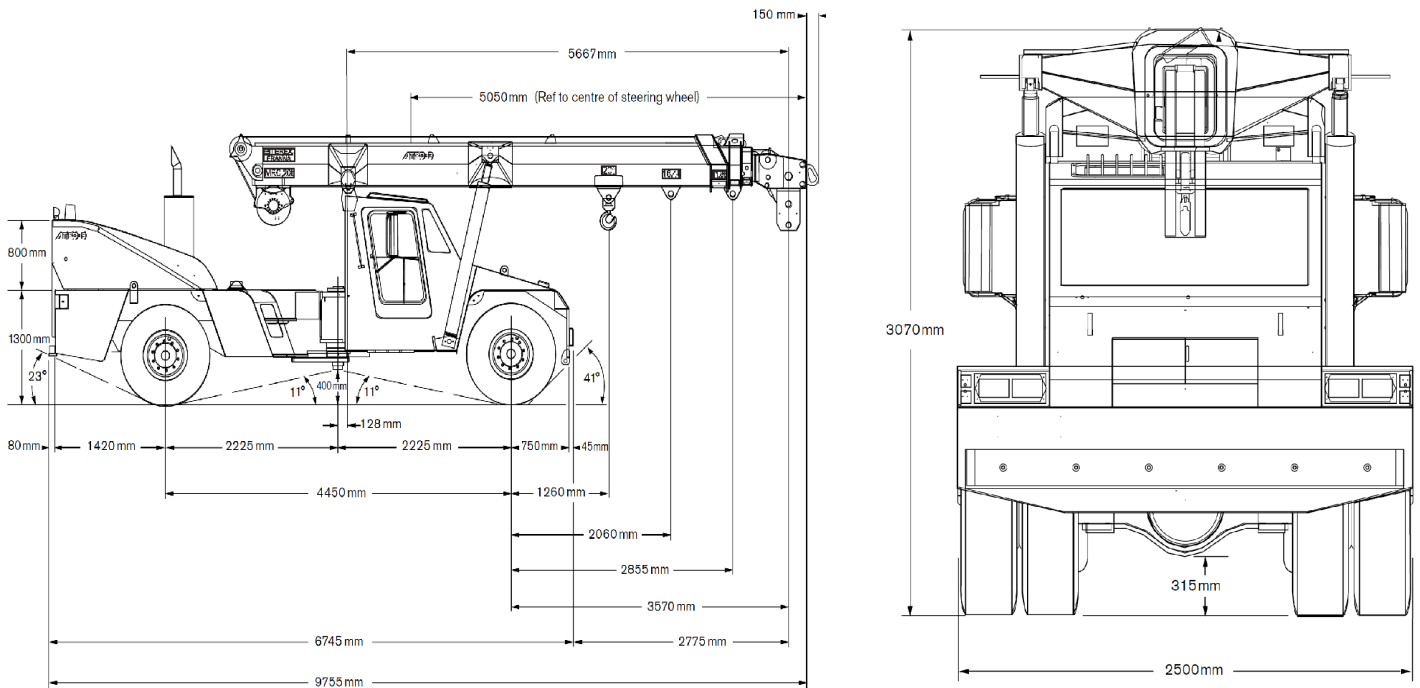
Franna Cranes have proved to be well suited to the lifting requirements of the Whitsundays Region. These cranes are exceptionally versatile, allowing them to be utilised in a variety of work site situations. The Franna All Terrain 20 Tonne offers the flexibility of a compact crane with the superb load capabilities of a larger machine; it has been created with hard work in mind. From sand to gravel to rock, this pick 'n' carry crane can handle all sorts of terrains with complete ease.

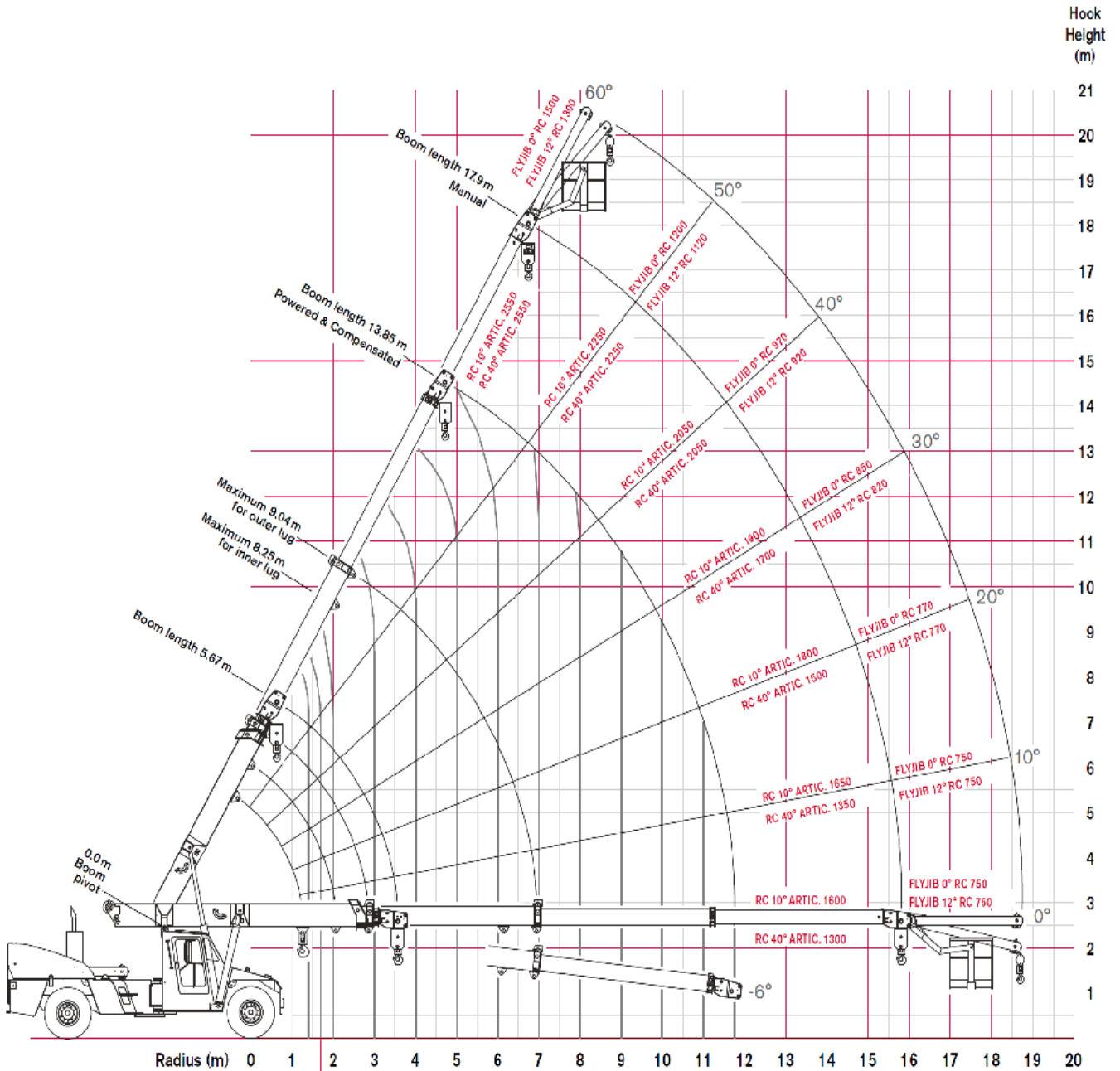
Franna Cranes require minimal set-up onsite, saving the customer time and money.



Features

- 20 tonne at 1.4 m radius
- 1.6 tonne at 15.8 m radius
- 17 m maximum hook height
- 20 m maximum hook height with fly jib
- Hook block (4 parts) capacity 16.8 tonne
- Single line 4.2 tonne





RC AT 1.4M 20000 KG												WINCH RC (KG) 10° ARTIC.	
RC AT 1.7M 19000 KG												WINCH RC (KG) 40° ARTIC.	
RC (KG) 10° ARTIC.	16800	11400	6300	6500	5250	4350	3700	3200	2800	2450	2250		
RC (KG) 40° ARTIC.	12600	9950	7200	5600	4500	3750	3150	2700	2350	2050	1850		